

# MID WEST PRODUCTS, INC.

## High Wheel Cultivator – Model HWC-243A



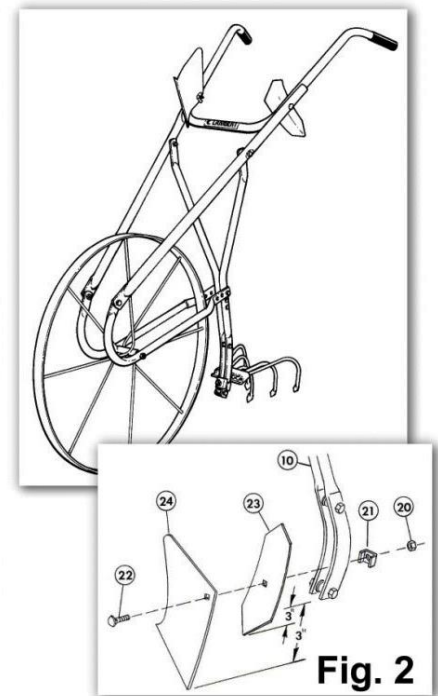
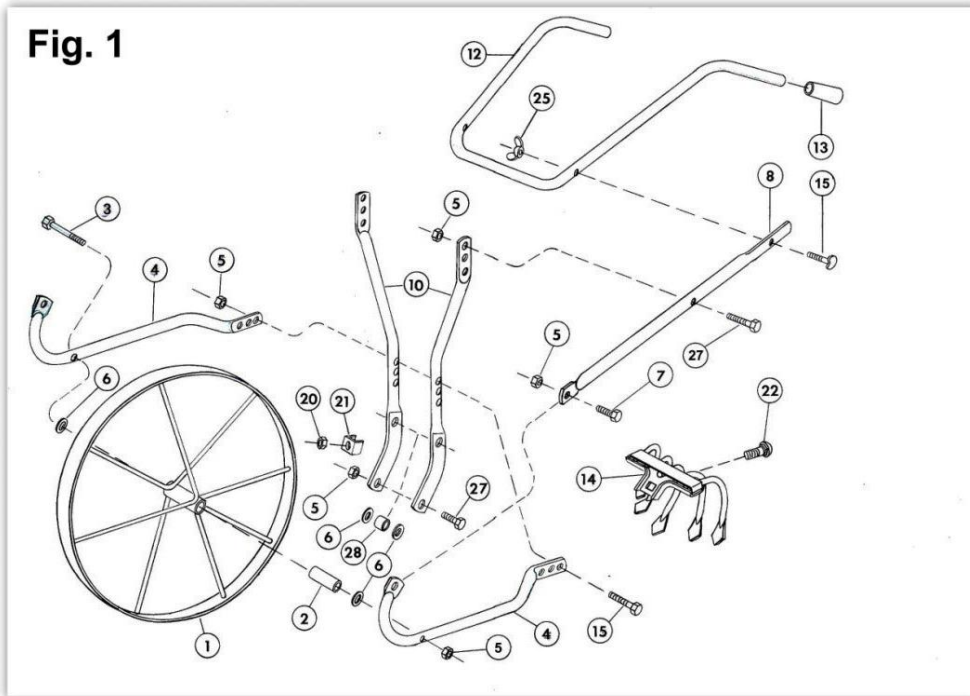
## Owner's Manual and Parts List

### SAVE THIS MANUAL

You will need this manual for the safety instructions, assembly instructions and parts list. Put it in a safe, dry place for future reference.

Additional Information/Link to PDF Copy of this Manual:



**Fig. 1****Fig. 2**

## **MODEL HWC-243A – HIGH WHEEL CULTIVATOR**

### **ASSEMBLY**

1. Only One Adjustable Wrench and One Pair of Pliers are required to assemble your new High Wheel Cultivator. Lie out all parts, have tools handy, and follow these few instructions. Leave all Bolts and Nuts loose until assembly is complete.
2. Insert long Bushing (2) into Wheel (1) and attach Side Braces (4) to Wheel with Bolt (3), two Flat Washers (6), and Lock Nut (5). See Fig. 1 for correct position of Braces. The back-formed sections assemble toward each other.
3. Now, assemble Side Handles (8) to Side Braces (4) with Bolts (7) and Lock Nuts (5).
4. Assemble Yokes (10) and Side Handles (8) with Bolts (27) and Lock Nuts (5). Initially use center hole, adjustments can be made later. See Fig. 1. NOTE: Lower curved section of Yokes should curve toward the Wheel.
5. Secure Side Braces (4) to Yoke, assemble with Bolt (15) and Lock Nut (5). Initially use center hole, adjustments can be made later. Join the lower curved section of the Yoke (10) with 2 Bolts (27), 4 Flat Washer (6), 2 Spacers (28), & 2 Lock Nuts (5). See Fig. 1
6. Insert Steering Handle (12) into recessed Side Handles (8) and fasten with two Bolts (15), and two Wing Nuts (25).

7. Tighten all Bolts and Nuts.

8. Slip Hand-Grips (13) over ends of Steering Handles (12).

### **PARTS LIST**

Key	Part No.	Description	Qty.
1	16A-3138	Wheel Assembly	1
2	15-1085	Bushing	1
3	X-1429	5/16 – 18 x 4 ½ Hex Cap Screw	1
4	16-3122	R.H. Side Brace	1
-	16-3123	L.H. Side Brace	1
5	X-1107	5/16 – 18 Lock Nut	8
6	L-99	5/16 Flat Washer	6
7	L-59	5/16 – x ¾ Hex Cap Screw	2
8	16-3072	Side Handle	2
10	16-3124	R.H. Yoke	1
-	16-3125	L.H. Yoke	1
12	16-3073	Steering Handle	1
13	16-3080B	Hand Grip	2
14	16A-3126	Prong Weeder Assembly	1
15	X-1545	5/16 – 18 x 2 ¼ Hex Cap Screw	3
20	X-1199	3/8 – 16 Lock Nut	1
21	16-3127	Clamp	1
22	X-1329-1	3/8 – 16 x- 2 Carriage Bolt	1
23	16-3059	Shovel	1
24	16-3060	Plow	1
25	X-1007	5/16 – 18 Wing Nut	2
27	L-81	5/16 – 18 x 1 ¼ Hex Cap Screw	4
28	15-1093	Spacer	2

# **TOOLS**

## **5 PRONG WEEDER/CULTIVATOR ASSEMBLY (Fig. 1)**

The fan-like prongs are used for removing weeds, and loosening tilled soils. To attach Prong Weeder Assembly (14) to Yoke (10) place near bottom of Yoke and extend Carriage Bolt (22) through slot in Yoke. Secure Assembly to Yoke with Clamp (21) and Lock Nut (20).

## **SHOVEL (Fig. 2)**

The Shovel has a reversible feature to provide a choice of two (2" x 3") furrowing widths. It is used for furrowing prior to seeding and in some cases to cover furrowed rows after seeding. To install, attach Shovel (23) with Carriage Bolt (22), Clamp (21), and Lock Nut (20) to Yoke (10) allowing 3 inches extension below bottom of Yoke.

## **PLOW (Fig. 2)**

The Plow is used for moving loose soil over seeded rows and to build hills over and around growing plants. To attach, place Plow (24) on Yoke (10), and secure with Carriage Bolt (22), Clamp, (21), and Lock Nut (20). The Plow should always be mounted at the highest position on the Slotted Foot with no more than 3" extending below the Yoke.

After each usage remove all dirt from the Cultivator and apply a light coat of oil to bare metal parts.

## **INSTRUCTIONS FOR ORDERING PARTS**

(Minimum Parts Order Charge \$20.00)

1. Address all parts orders or correspondence regarding customer service to one of the following:  
Parts Dept. Phone: (937) 337-3641  
Mid West Products, Inc.  
P.O. Box 301 E-mail: [Parts@Mid-West-Products-Inc.com](mailto:Parts@Mid-West-Products-Inc.com)  
Phillipsburg, OH 45354 Website: [www.Mid-West-Products-Inc.com](http://www.Mid-West-Products-Inc.com)
2. Write your name and address plainly (print or type).
3. Explain where and how to ship.
4. Give model number of unit.
5. Give part number from parts list, as well as a description, including color, of the part and the quantity you need.
6. Inspect all shipments you receive. If any parts are damaged or missing, file a claim with the carrier before accepting.
7. If you are returning parts, be sure to include WITH THE SHIPMENT a list of the parts with your name and address.
8. All orders for repair and replacement parts will be shipped when paid with Master Card, Visa, or personal check/money order. Prices subject to change without notice.

### **GUARANTEE**

The merchandise you have purchased from us has been carefully engineered and manufactured under Mid West Products rigid quality standards and should give you satisfactory, dependable operation. However, like all mechanical merchandise, it may occasionally require adjustment or maintenance. Should you need technical assistance, please contact MID WEST PRODUCTS.

**Parts Kit included with the High Wheel Cultivator**

<b>Part Picture</b>	<b>Description</b>	<b>Part No.</b>	<b>Qty.</b>	<b>Key</b>
	Clamp	16-3127	1	21
	3/8 X 1/2 X 2 13/16 Bushing	15-1085	1	2
	5/16 I.D X 16GA Flat Washer	L-99	2	6
	5/16-18 Type A Wing nut	X-1007	2	25
	5/16-18 Two way Lock nut	X-1107	6	5
	3/8-16 Lock nut	X-1199	1	20
	5/16-18 X 3/4 HHCS	L-59	2	7
	5/16-18 X 1 1/4 HHCS	L-81	2	27
	3/8-16 X 2 Std. Carr. Bolt	X-1329-1	1	22
	5/16 - 18 X 2 1/4 HHCS	X-1545	3	15
	5/16 - 18 X 4 1/2 HHCS	X-1429	1	3

# OTHER LAWN & GARDEN TOOLS FROM MID WEST PRODUCTS, INC.

## WOODEN UTILITY CARTS — GC-20 OR GC-26

It has a gate that lifts out to unload bulky loads like mulch, soil, gravel, firewood or waste and also allow it to carry longer items. Once you have one, you'll wonder what you ever did without it!

The Standard-Duty Utility Cart has two 20" pneumatic wheels and a cargo capacity of 6.5 cubic feet or up to 300 pounds.

The Heavy-Duty Utility Cart has two 26" pneumatic wheels and a cargo capacity of 11.3 cubic feet or up to 400 pounds.



## VEGETABLE GARDEN ROW SEED PLANTER — GSF-31M

- ALL-IN-ONE item that can simultaneously Plant and Fertilize Seeds as well as Mark Rows.
- It only weighs 14 lbs. and NO TOOLS are REQUIRED for Assembly.
- Attached Pouch for extra seed, notes, gloves, and other needed items.
- High Strength Powder Coated Steel Frame and Seed Tube.
- The unit is Rear-Wheel Belt Driven for Positive, Even Seeding and No Messy Chain to pull the seeds out of the ground.
- Includes 6 Different Seed Plates for 31 Common Variations in Seed Sizes.

## 31" DELUXE PUSH LAWN SWEEPER — B-319

- The "Butterfly" Handles Increase the Hamper Capacity to a Huge 8.5-Bushel.
- Big 10" Precision Molded Plastic Wheels with Ribbed Tread Rubber Tire...Makes this Unit Easy to Push.
- The Rear Swivel Casters Help Make this Easy to Maneuver.
- Our Easy to Operate One-Hand "Squeeze Me" Height Adjustment Makes it Easy to go From Grass to Pavement.
- The Removable Hamper Allows for Easy Dumping and Fold Away Storage.



## "TRACTOR SEAT ON WHEELS"/HANDY CADDY — GC-400R

Sit comfortably on the sturdy four-wheeled Handy Caddy to do any of the jobs that usually require stooping, squatting, or kneeling. The 360° Swivel Seat allows freedom of movement while working in the garden or the greenhouse. Tools and supplies are held within easy reach in the handy Shelf below the Seat. Tasks, such as at your planter's bench or in the actual garden becomes easier and fun! At a weight of 34 pounds, this item is durable, easy to use, comfortable, and ....yes....EASY on the KNEES! It has many wonderful uses, just use your imagination!!! It is the ULTIMATE HELPER! Get up off your aching knees and onto a "Tractor Seat on Wheels" today!