

MID WEST PRODUCTS, INC.

LOG CADDY – MODEL LC-201



Owner's Manual and Parts List

SAVE THIS MANUAL

You will need this manual for the safety instructions, assembly instructions and parts list. Put it in a safe, dry place for future reference.

Additional Information/Link to PDF Copy of this Manual:



LC-201 LOG CADDY

WARNING

- Read instructions and Warnings before set up and use.
- Check to insure product is not damaged prior to use. If product is damaged, do not use.
- Do not exceed Cart's weight capacity of 200 lb.
- Only use product as intended. Do not attempt to jump or stand on product.
- Not for use by unsupervised children.

ASSEMBLY

Tools Required: (1) Straight Tip Screwdriver and (1) 7/16" Open End Wrench. A 7/16" Socket and Ratchet would speed up assembly.

Notes:

- Please read and understand these Instructions before assembling your Log Caddy.
- Check that you have all components.
- Do not tighten fasteners until all parts are assembled.

Instructions:

1. Place Tube Caps (7) over the end of Side Tubes (3) (the end with two holes).
2. Take one Side Tube (3) and Front Support Tube (2), align the two holes on one side and secure with Screws (12) and Nuts (11). Now take other Side Tube and repeat above procedure.

3. Next align the holes in Side Tubes (3) and holes in Side Support & Axle Assembly (4). Secure with Screws (13) and Nuts (11).
4. Now slide Handle (1) over both Side Tubes at the same time and align the holes in each. Secure with Screws (13) and Nuts (11).
5. At this time tighten all fasteners.
6. Now slide Spacers (6), Washers (9), and Wheel (5) over each side of Axle and secure with Hair Pin (10) in Axle hole.
7. Now slide Tube Caps (8) over both ends of Front Support Tube (2). Assembly is complete.

CAUTION! Do not haul people or pets with unit.

INSTRUCTIONS FOR ORDERING PARTS

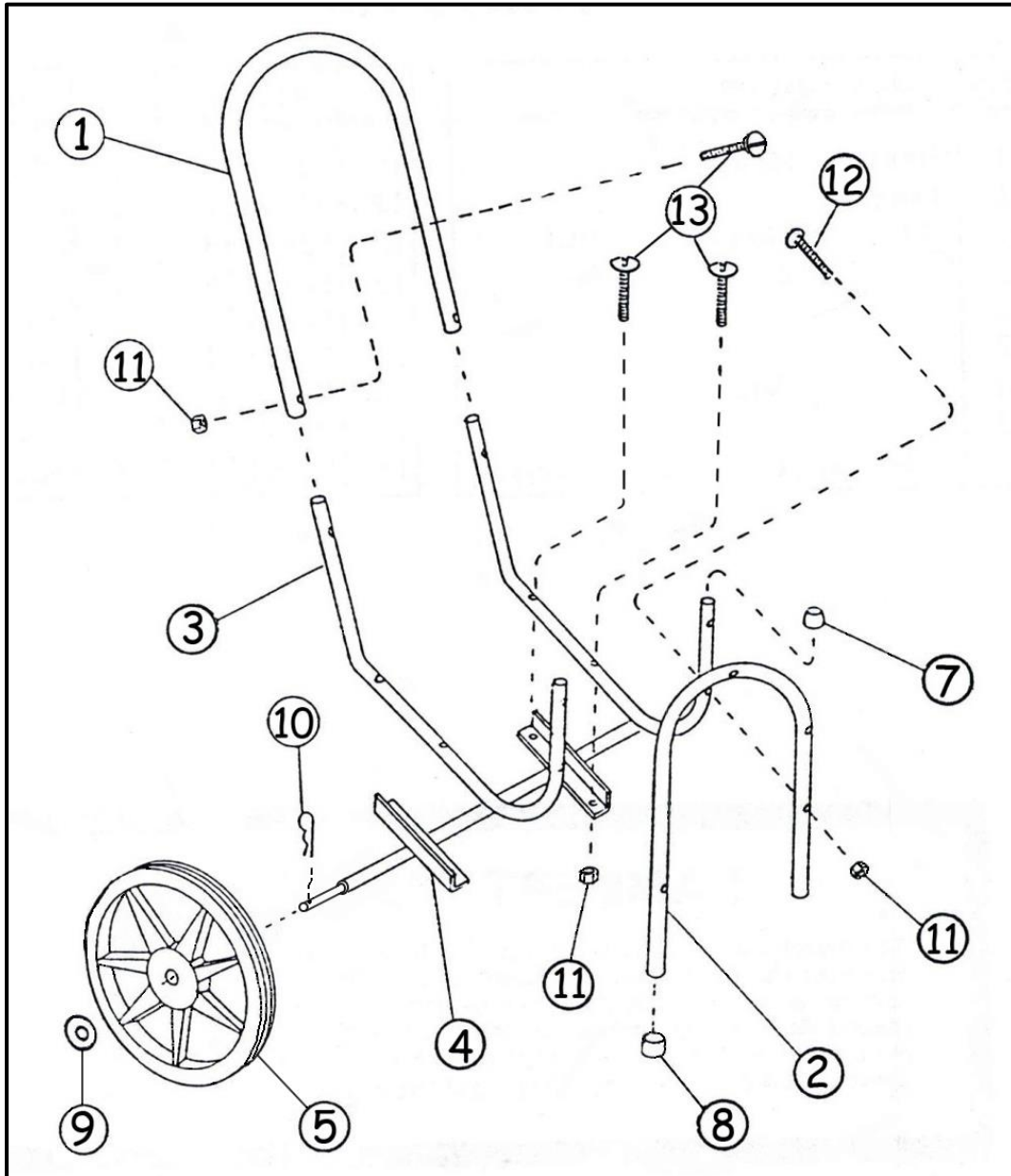
(Minimum Parts Order Charge \$20.00)

1. Address all parts orders or correspondence regarding customer service to one of the following:
Parts Dept. Phone: (937) 337-3641
Mid West Products, Inc. E-mail: Parts@Mid-West-Products-Inc.com
P.O. Box 301 Website: www.Mid-West-Products-Inc.com
Phillipsburg, OH 45354
2. Write your name and address plainly (print or type).
3. Explain where and how to ship.
4. Give model number of unit.
5. Give part number from parts list, as well as a description, including color, of the part and the quantity you need.
6. Inspect all shipments you receive. If any parts are damaged or missing, file a claim with the carrier before accepting.
7. If you are returning parts, be sure to include WITH THE SHIPMENT a list of the parts with your name and address.
8. All orders for repair and replacement parts will be shipped when paid with Master Card, Visa, or personal check/money order. Prices subject to change without notice.

PARTS LIST & DIAGRAM

Key	Part No.	Description	Qty
1	52-1179	Handle	1
2	52-1180	Front Support Tube	1
3	52-1181	Side Tube	2
4	52A-1184-1	Side Support & Axle Assy.	1
5	52-1178-1	Wheel & Tire	2
7	52-1089	1" Tube Cap	2

Key	Part No.	Description	Qty
8	52-1191	7/8" Tube Cap	2
9	L-64A	1/2" I.D. Flat Washer	2
10	X-1229	Hair Pin	2
11	L-303	1/4-20 2-Way Lock Nut	10
12	X-1639	1/4-20X2 Truss Head MS	4
13	X-1182	1/4-20X1 1/4 HHCS	6



GUARANTEE

The merchandise you have purchased from us has been carefully engineered and manufactured under Mid West Products rigid quality standards and should give you satisfactory, dependable operation. However, like all mechanical merchandise, it may occasionally require adjustment or maintenance. Should you need technical assistance, please contact MID WEST PRODUCTS.

OTHER LAWN & GARDEN TOOLS FROM MID WEST PRODUCTS, INC.

WOODEN UTILITY CARTS — GC-20 OR GC-26

It has a gate that lifts out to unload bulky loads like mulch, soil, gravel, firewood or waste and also allow it to carry longer items. Once you have one, you'll wonder what you ever did without it!

The Standard-Duty Utility Cart has two 20" Pneumatic Wheels and a cargo capacity of 6.5 cubic feet or up to 300 pounds.

The Heavy-Duty Utility Cart has two 26" Pneumatic Wheels and a cargo capacity of 11.3 cubic feet or up to 400 pounds.



VEGETABLE GARDEN ROW SEED PLANTER — GSF-31M

- ALL-IN-ONE item that can simultaneously Plant and Fertilize Seeds as well as Mark Rows.
- It only weighs 14 lbs. and NO TOOLS are REQUIRED for Assembly.
- Attached Pouch for extra seed, notes, gloves, and other needed items.
- High Strength Powder Coated Steel Frame and Seed Tube.
- The unit is Rear-Wheel Belt Driven for Positive, Even Seeding and No Messy Chain to pull the seeds out of the ground.
- Includes 6 Different Seed Plates for 31 Common Variations in Seed Sizes.

HIGH WHEEL CULTIVATOR — HWC-243A

- 24" Steel Wheel For Easy Handling.
- Special Selection of 3 Tools (Mol-board Plow, Reversible Shovel, Welded Five-Tine Cultivator).
- Slotted Foot For Plow Attachments Enables Easy Adjustment of Cutting Depth and Angle.
- Handle Folds Easily For Storage or Transportation.



"TRACTOR SEAT ON WHEELS"/HANDY CADDY — GC-400R

Sit comfortably on the sturdy four-wheeled Handy Caddy to do any of the jobs that usually require stooping, squatting, or kneeling. The 360° Swivel Seat allows freedom of movement while working in the garden or the greenhouse. Tools and supplies are held within easy reach in the handy Shelf below the Seat. Tasks, such as at your planter's bench or in the actual garden becomes easier and fun! At a weight of 34 pounds, this item is durable, easy to use, comfortable, andyes....EASY on the KNEES! It has many wonderful uses, just use your imagination!!! It is the ULTIMATE HELPER! Get up off your aching knees and onto a "Tractor Seat on Wheels" today!